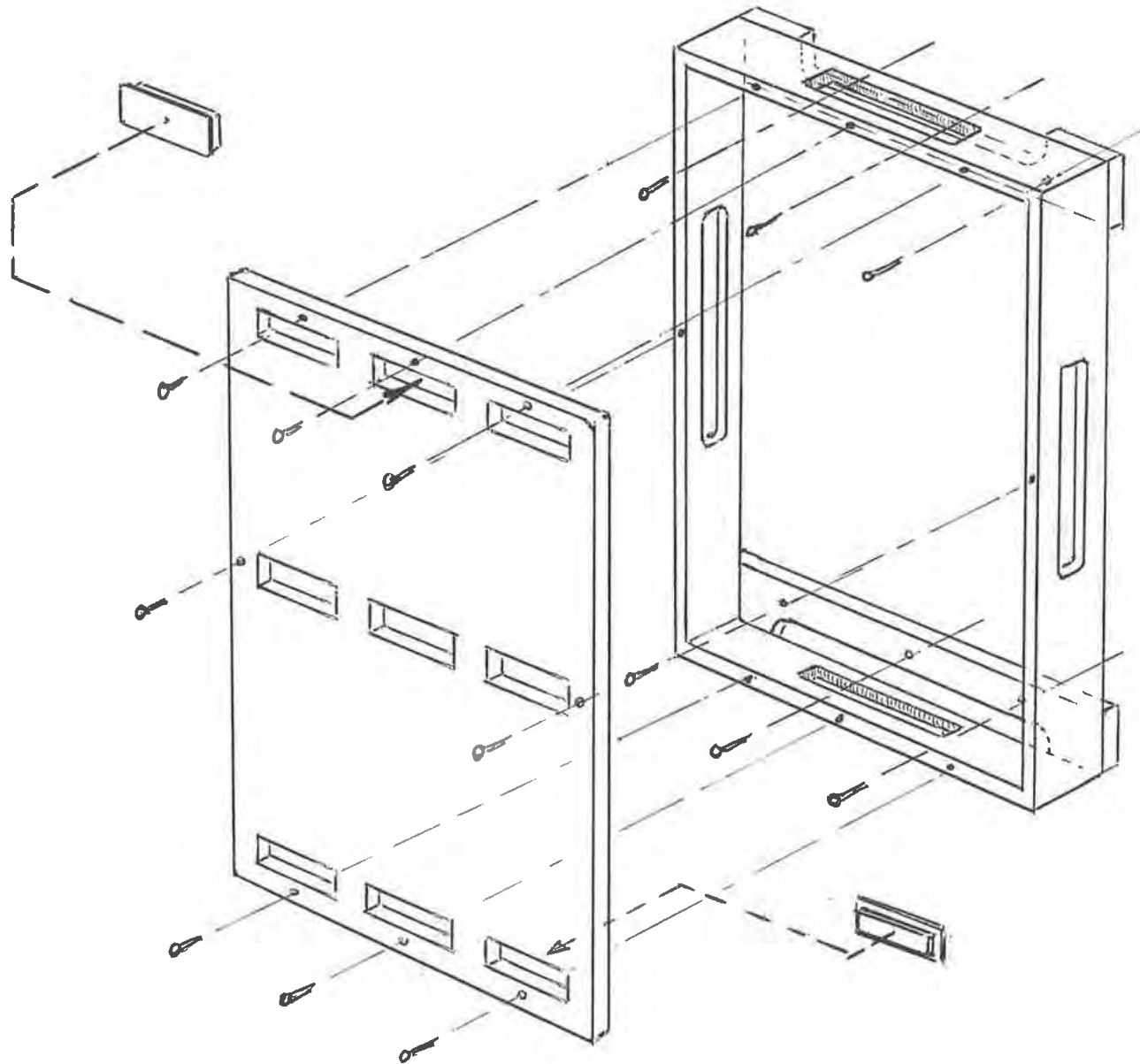


CAUTION! DO NOT OVER TIGHTEN SCREWS.

Instructions:

Remove 8 (Eight) stainless steel phillips head screw's from face.

Remove face to mount frame in landscape or portrait.



Mount with supplied hardware.

CAUTION! Check screw length before mounting.