

BioMaxx BioPellet Reactor – Standard / XL

Installation Guide

Please open the package carefully and check for damaged or lost parts.

Parts Included

- (1) Main media reactor body and lid
- (2) $\frac{3}{4}$ " inlet/outlet hose barbs

Models & Capacities

Standard

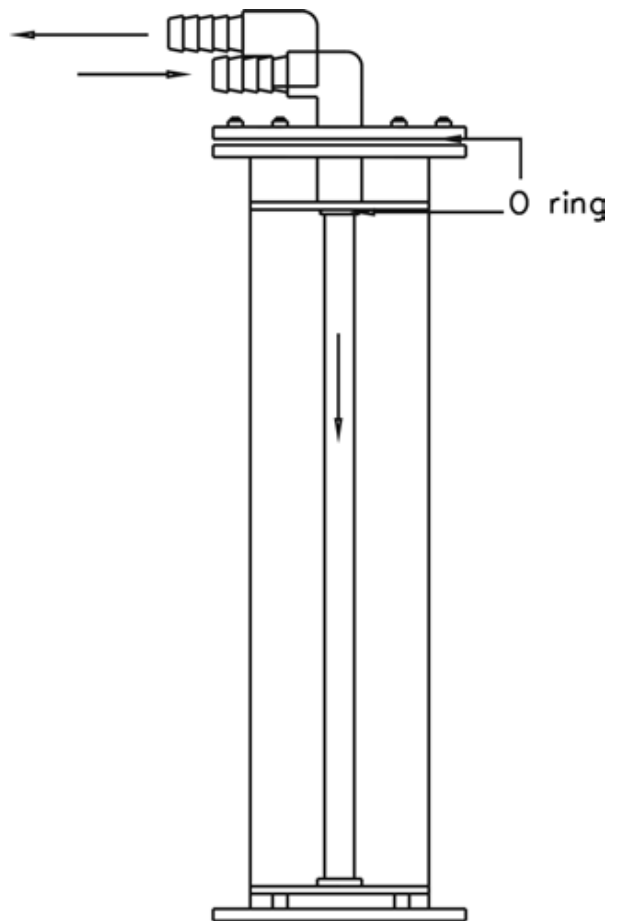
- up to 4 cups (treats up to 200 Gallons)
- recommended flow rate: 200 – 300 GPH*

XL

- up to 9 cups (treats up to 450 Gallons)
- recommended flow rate: 300 – 600 GPH*

**Certain brands of biopellets may require higher or lower flow rates.*

flow rate must be adjusted based on the amount and brand of biopellets used. An adjustable pump or valve is highly recommended



Assembling The Main Unit

1. To open the lid, loosen the (6) thumb screws. Turn lid counterclockwise to release.
2. At this time, the included hosebarbs may be switched from 3/4" to 1/2" by unscrewing the hosebarbs' fasteners from beneath the lid, then pressing the hosebarb upward out of their hexagonal recess.
3. Remove the upper media plate.
4. Attach the clear tube to the lower plate and insert into the reactor.
5. Temporarily block the top of the central tube to stop biopellets going down the central tube.
** It is recommended that biopellets are soaked for 24 hours in aquarium water before use.*
6. Pour biopellets into the body chamber.
7. Press down firmly onto the center of the reactor, seating into the fitting on the underside of the lid.
8. Slide the upper media plate onto the tube until it touches the stopper ring. The plenum may fit snugly, please use caution when sliding it on.
9. Replace the reactor lid, turn clockwise and gently tighten the thumb screws. Tighten the screws in a star pattern to evenly secure the lid. CAUTION: DO NOT OVER TIGHTEN THE SCREWS.
10. The fitting in the center of the lid is the water inlet; the fitting offset to one side is the outlet. Do not over-tighten nut when installing. Connect the Inlet and outlet hose to Inlet and outlet fitting of the lid.

Recommendations

1. Biopellets typically take 4-6 weeks to begin working. As drastic changes are not desirable, it is recommended that you start with only 25% of the biopellets then add 25% more biopellets each week.
2. While we take great care to keep any contaminates away from our products during assembly, please take a moment to clean the reactor and plumbing before attaching to your tank. Clean your reactor with warm water ONLY. Never clean Acrylic with alcohol based products. Use caution when handling as acrylic scratches easily.
3. Please keep in mind that a media reactor is intended to be a bypass filter, and is not designed to handle the complete flow and pressure requirements of a large aquarium system.
4. The reactor should be cleaned out every time that the media is replaced ensuring that there is no media below the bottom plate.

For addition FAQ's and trouble-shooting tips, please visit our website: www.aquamaxxaquariums.com

Warranty

AquaMaxx warrants all AquaMaxx products to be free from manufacturing defects for one year from the original purchase date when purchased through an authorized AquaMaxx retailer. This warranty does not cover any damages caused by misuse, neglect, alterations or improper handling / transport / maintenance / installation. Physical damages are not covered by warranty. AquaMaxx does not cover personal injury, personal loss, or other damages associated with the use of our products. In order to request warranty service, please email us at info@aquamaxxaquariums.com. A purchase receipt is required for any warranty service. Products requiring warranty service must be returned to AquaMaxx. You are responsible for the cost of shipping a warranty claim to AquaMaxx and any damages that may occur during transit. Once a returned product has been inspected, it will be repaired or exchanged at our discretion and returned to you. International and/or expedited shipping are not covered under your AquaMaxx warranty.