

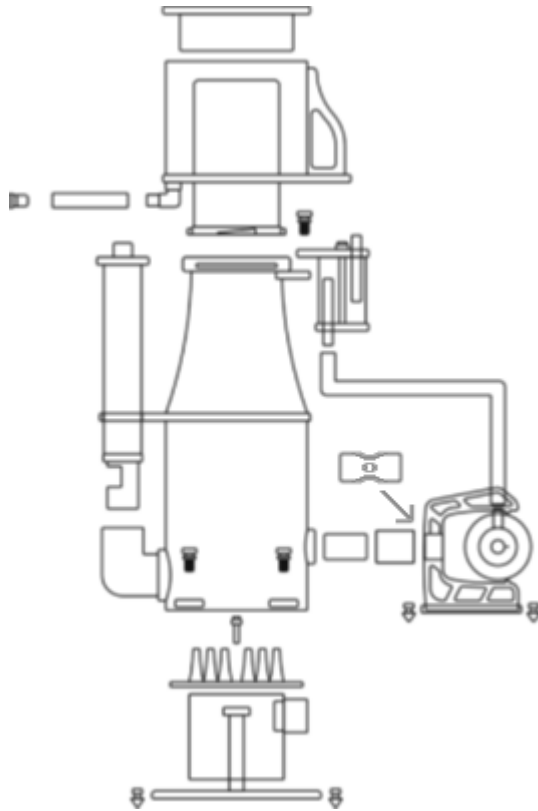
## ConeS CO-2 / CO-3 / CO-5 / CO-6 In-Sump Protein Skimmer

### Installation Guide

Please open the package carefully and check for damaged or lost parts.

### Parts Included

1. Needlewheel Pump w/ Venturi & Pump Bracket
2. Pump-Stabilizing Plate & Screw
3. Pump Connector Pipe & Tubing
4. Venturi Tubing
5. Air Silencer
6. Bubble Plate/Diffusor
7. Skimmer Body
8. Skimmer Base & Body Screws
9. Rubber Feet
10. Outlet Pipe / Adjustment Valve
11. Collection Cup and Drain



	Specifications					
Model	Tank Size	Height	Foot Print	Pump	Recommended Water Level	Chamber Diameter
CO-1	90-175 Gal	19.7"	6.3" x 8.7"	SHARK 1.5	9.5"	5"
CO-2	160-300 Gal	22.1"	7.1" x 14.2" or 9.1 x 12.6	SHARK 2.0	8" - 10"	6"
CO-3	270-450 Gal	22.9"	12.3" x 14.2"	SHARK 3.0	8" - 10"	8"
CO-5	350-600 Gal	22.9"	16.6" x 13.8" or 20.1" x 10.7"	SHARK 6.0	8.5" - 9"	10"
CO-6	500-800 Gal	22.9"	16.6" x 18.2" or 22.1" x 12.6"	SHARK 7.0	8.5" - 9"	12"

## Assembling the main unit

1. Connect rubber feet to the main base and pump base
2. Connect the air hose from the air intake to the silencer
3. Connect the water outlet of the needlewheel pump to the skimmer body
4. Connect the air hose from the air intake to the silencer.
5. Attach the drain elbow to the collection cup, use zip tie to secure
6. Install the collection cup and lid (DO NOT OVER TIGHTEN SKIMMER CUP AS DAMAGE MAY RESULT)

\* To speed up the break in process, it is recommended to use warm water to clean the skimmer before installation.  
(DO NOT USE ANY SOAP OR CHEMICALS TO CLEAN THE SKIMMER)

## Select a suitable place to set your protein skimmer

1. The required sump water level for the CO-2 and CO-3 Skimmers is 8"-10"; 8.5"-9" for CO-5 & CO-6. Please make sure that the water level is not any higher than the levels noted. Otherwise, the Quick- precise adjusting valve will not function properly.
2. The pump must be completely submerged underwater when in use. Running the pump dry or in too low of a water level will damage the pump.

## Recommendations

1. For best performance, please clean the collection cup frequently with a sponge and warm water.
2. Regular maintenance of the pump will ensure a long life and maximum performance: recommended every 3 months.
3. It may require 2 – 4 weeks for the skimmer to reach optimal performance due to tiny amounts of oil or remnants left from manufacturing. Skimmer performance may be erratic during this time; be sure to allow ample time for the skimmer to break-in before making adjustments.

## Adjusting the skimmer

1. The main chamber will fill with bubbles. Carefully adjust the adjustment valve (clockwise to close, the water level in the chamber will go up; counter-clockwise to open, the water level will go down).
2. As a starting point, adjust the water level within the skimmer to where the cup meets the neck.
3. Close valve gradually over the course of a few days for a wetter/lighter skimmate; open valve for a drier/darker skimmate.

\*\*\*For addition FAQ's and trouble-shooting tips, please visit our website: [www.aquamaxxaquariums.com](http://www.aquamaxxaquariums.com)\*\*\*

## Warranty

AquaMaxx warrants all AquaMaxx products to be free from manufacturing defects for one year from the original purchase date when purchased through an authorized AquaMaxx retailer. This warranty does not cover any damages caused by misuse, neglect, alterations or improper handling / transport / maintenance / installation. Physical damages are not covered by warranty. AquaMaxx does not cover personal injury, personal loss, or other damages associated with the use of our products. In order to request warranty service, please email us at [info@aquamaxxaquariums.com](mailto:info@aquamaxxaquariums.com). A purchase receipt is required for any warranty service. Products requiring warranty service must be returned to AquaMaxx. You are responsible for the cost of shipping a warranty claim to AquaMaxx and any damages that may occur during transit. Once a returned product has been inspected, it will be repaired or exchanged at our discretion and returned to you. International and/or expedited shipping are not covered under your AquaMaxx warranty.

