



AQUAMAXX

www.aquamaxxaquariums.com

Cone-S Q Series In-Sump Protein Skimmer

User's Manual

www.aquamaxxaquariums.com

info@aquamaxxaquariums.com

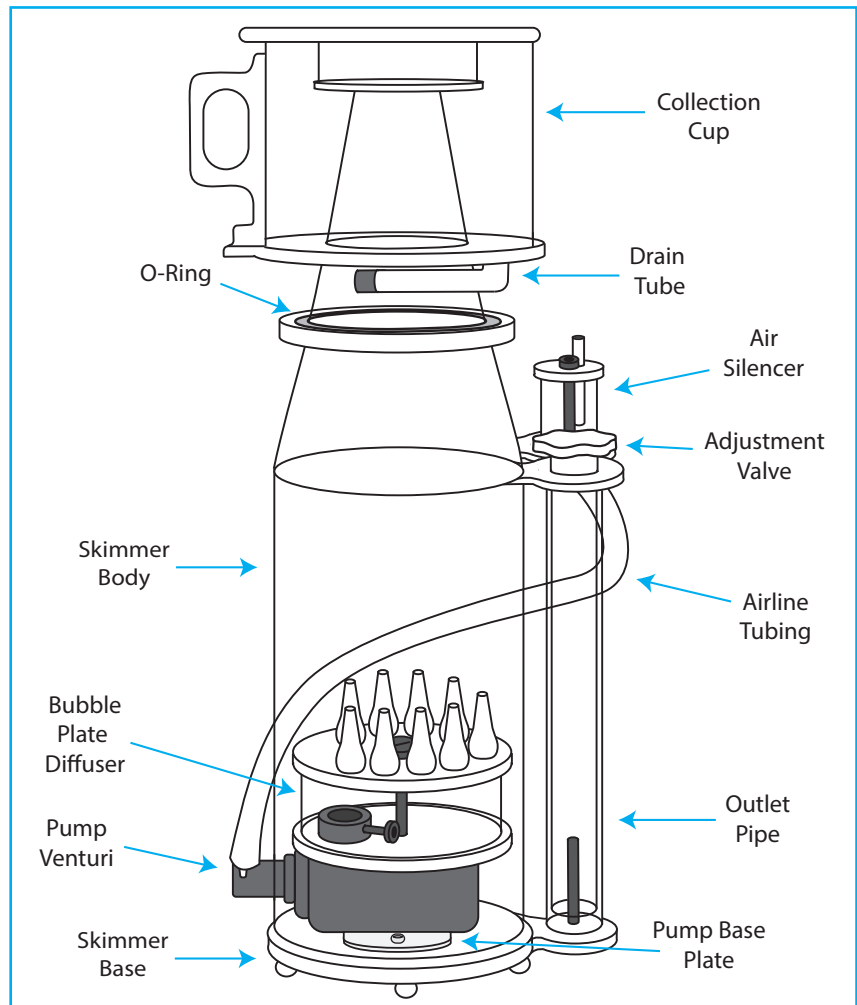
AquaMaxx ConeS Q Series In-Sump Protein Skimmer

SYSTEM SPECIFICATIONS		Q-1	Q-2	Q-3	Q-5	Q-6
Footprint		9.5" x 5.9"	6.7" x 9.5"	8.7" x 11.5"	10.7" x 13.4"	16.6" x 13"
Height		19.6"	19.3"	19.7"	19.7"	22.9"
Motor		Shark 1.5	Shark 2.0	Shark 3.0	Shark 6.0	Shark 7.0
Gallon Rating	Light Bioload	Up to 140 gallons	Up to 250 gallons	Up to 420 gallons	Up to 550 gallons	Up to 760 gallons
	Medium Bioload	Approx. 110 gallons	Approx. 200 gallons	Approx. 350 gallons	Approx. 450 gallons	Approx. 650 gallons
	Heavy Bioload	Up to 80 gallons	Up to 130 gallons	Up to 240 gallons	Up to 300 gallons	Up to 450 gallons

Please open the package carefully and check for damaged or lost parts.

In order to remove residual residue leftover from the manufacturing process, it is recommended to clean all skimmer components prior to use by soaking them in warm water.

DO NOT use any soap or harmful chemicals to clean the skimmer.

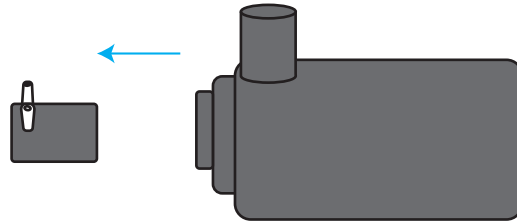


Installation Guide

STEP 1

Disconnect the venturi from the pump.

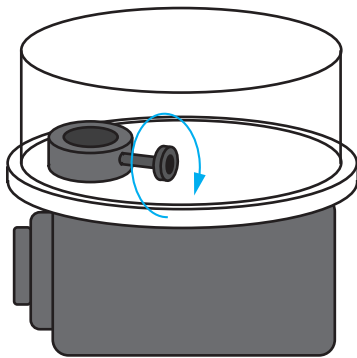
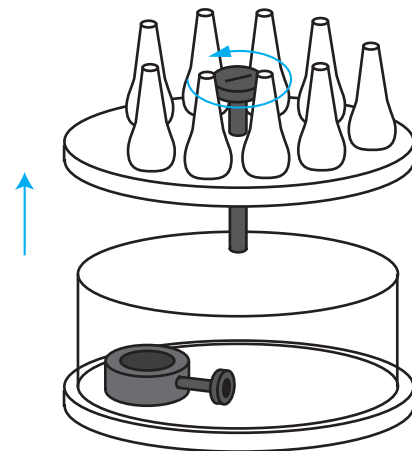
The venturi is press-fit into the pump body and can be removed by pulling gently with a twisting motion. Take care when handling so that you do not damage the venturi inlet pipes.



STEP 2

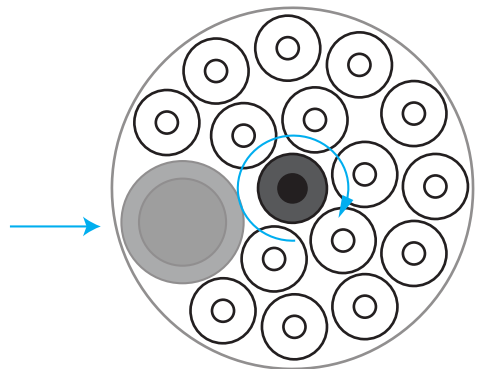
Assemble & install the bubble diffuser plate.

Remove the top of the bubble plate assembly by twisting its central thumbscrew in a counter-clockwise motion.



Center and press-fit the bubble plate base into the pump outlet, finger-tightening the outlet thumbscrew clockwise to secure.

Replace the bubble plate lid and position it so that the area without bubble diffusers sits directly above the pump outlet. Once in the correct position, finger-tighten the bubble plate's central thumbscrew clockwise to secure it into place.



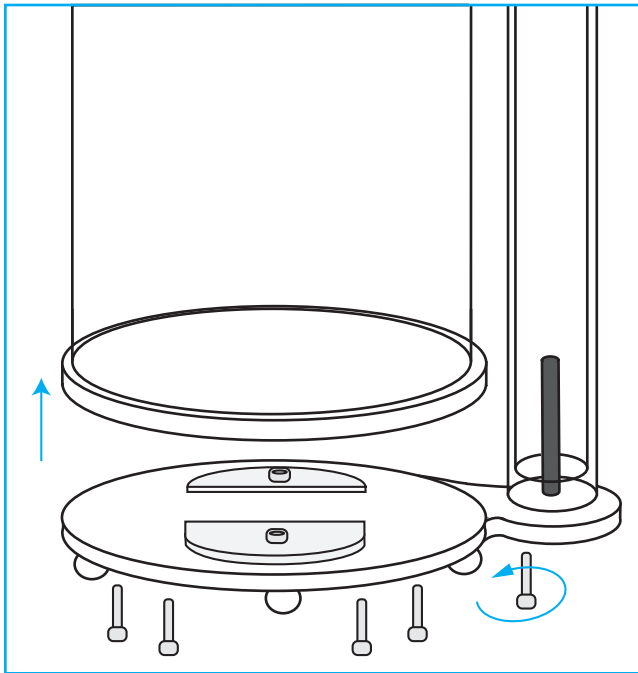
CAUTION:

Do not overtighten the thumbscrews, as damage to the skimmer and its parts may occur.

Installation Guide

STEP 3

Remove the skimmer body from its base.

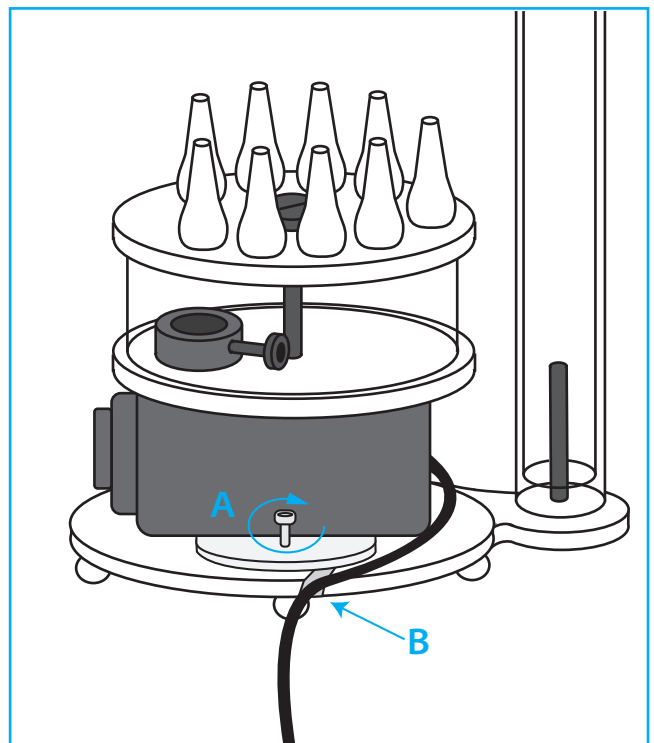
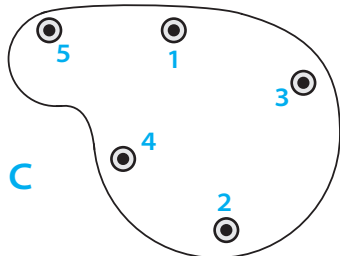


Turn the five thumbscrews underneath the skimmer base counter-clockwise to detach the skimmer body.

STEP 4

Install the pump. Take care not to overtighten any thumbscrews in the following steps.

- A** With the venturi side facing away from the skimmer's outlet pipe, position the pump into the base plate notches and secure by twisting the two base plate thumbscrews in a clockwise motion.
- B** Ensure the pump power cord is seated within the guide channel prior to placing the skimmer body back onto its base.
- C** Secure the skimmer body to its base by finger tightening the thumbscrews in an alternating pattern.

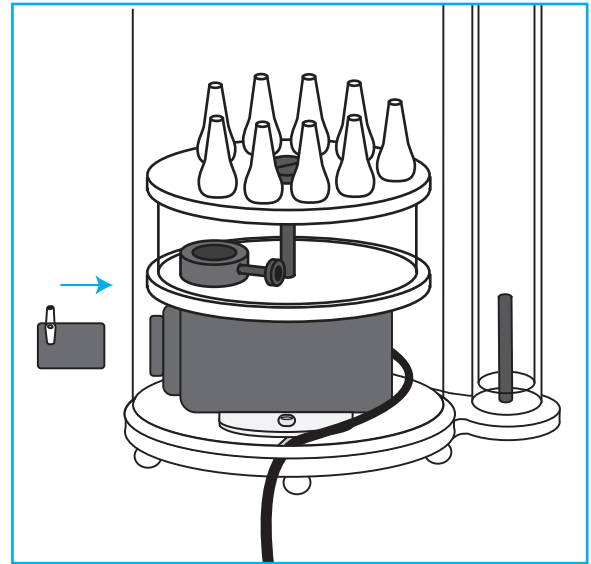


Installation Guide

STEP 5

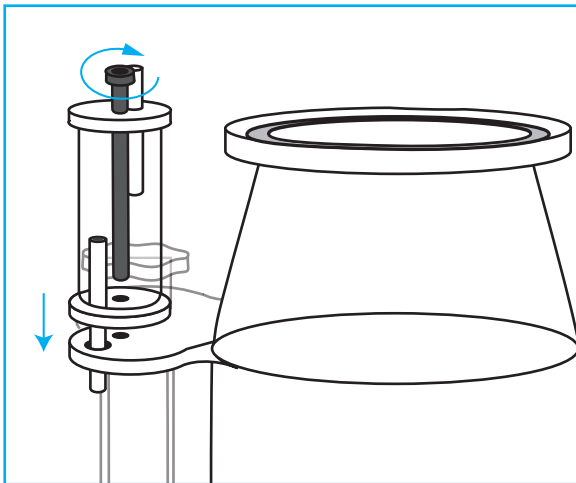
Re-attach the pump venturi.

Push the press-fit venturi into the pump outlet through the opening in the skimmer body.



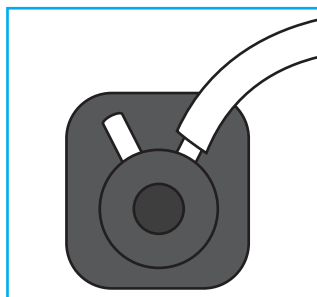
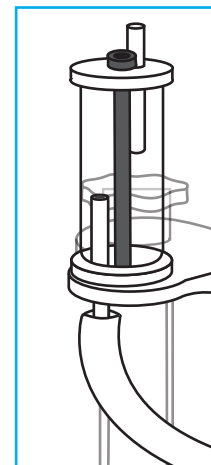
STEP 6

Install the air line.



Attach the air silencer to its mount by finger-tightening its central thumbscrew in a clockwise motion.

Connect one end of the yellow air line tubing to the bottom pipe on the air silencer.



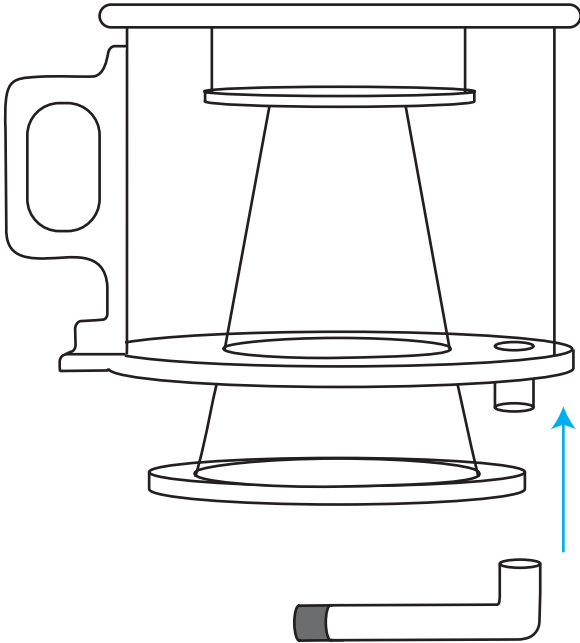
Connect the other end of the yellow airline tubing to one of the air inlets located on the pump venturi.

The second venturi inlet is designed for ozone, which is optional. If you choose not to use the ozone inlet, be sure to keep it covered with the included rubber cap.

Installation Guide

STEP 7

Assemble and install the collection cup.



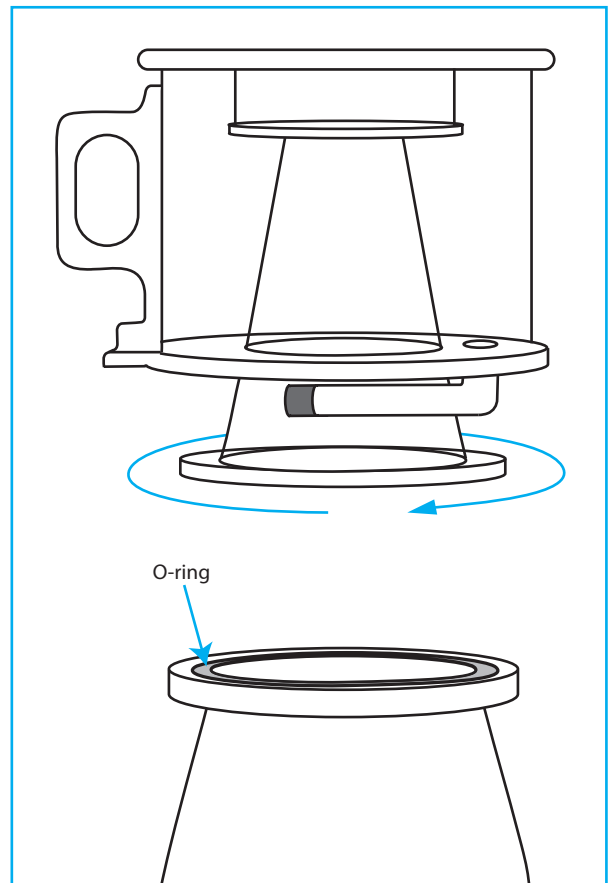
Connect the silicone drain tube to the outlet pipe on the bottom of the collection cup.

If desired, use a zip tie to further secure the drain tube.

Ensure the o-ring is securely in place on the skimmer body.

Install the collection cup by twisting it clockwise onto the skimmer body.

CAUTION: Do not overtighten, as damage to the cup may result.



Operation Guide

PLACEMENT GUIDELINES

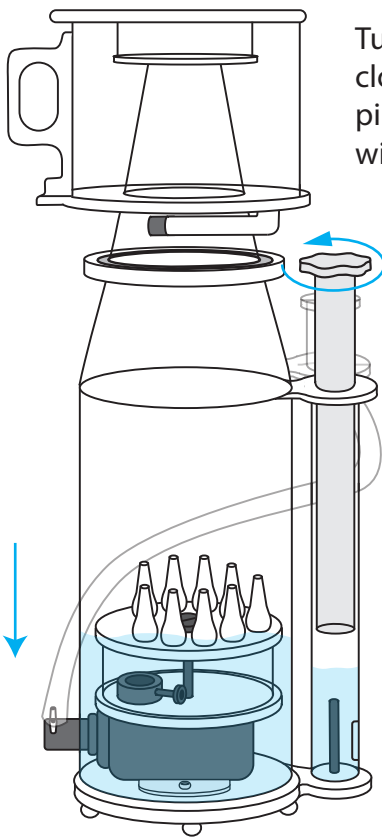
The pump must be completely submerged underwater when in use. Running the pump dry or in too low of a water level will damage the pump.

For proper performance of the quick-precise adjustment valve, the water in your sump must not be any higher than the following levels:

SKIMMER MODEL	Q-1	Q-2	Q-3	Q-5	Q-6
Required Water Level	7-8"	7-8"	8-9"	8-9"	8-9"

SKIMMER ADJUSTMENT

Turning the quick-precise adjustment knob will change the water level within the skimmer body chamber.

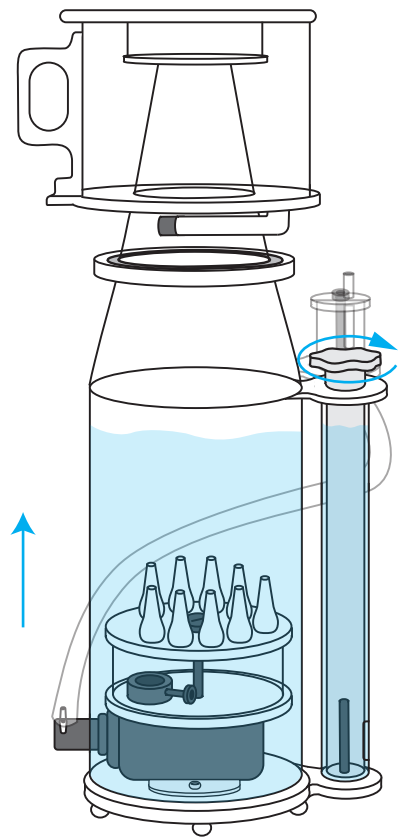


Turning the knob counter-clockwise will open the outlet pipe, causing the water level within the chamber to drop.

Generally, closing the valve will lead to drier skimmate that is dark in color.

Turning the knob clockwise will close the outlet pipe, causing the water level within the chamber to rise.

Generally, opening the valve will lead to wetter skimmate that is light in color.



As a starting point, it is recommended to adjust the water level within the skimmer body to where the collection cup meets the neck.

Operation Guide

SKIMMER ADJUSTMENT (CON.)

It may require 2-4 weeks for the skimmer to reach optimal performance due to tiny amounts of oil or remnant leftover from the manufacturing process. The skimmer's performance may be erratic during this period; be sure to allow ample time for the skimmer to break in prior to making any major adjustments.

MAINTENANCE

Regular maintenance of the pump will ensure a long life and maximum performance. You can clean the pump and its components by soaking in a general citric acid solution once every 3 months.

The collection cup should be cleaned frequently with a sponge and warm water.

ATTENTION: Do not use any soap or harsh chemicals when cleaning. Never use alcohol-based products to clean acrylic. Use caution when handling, as acrylic can scratch easily.

WARRANTY

AquaMaxx warrants all AquaMaxx products to be free from manufacturing defects for one year from the original purchase date when purchased through an authorized AquaMaxx retailer. This warranty does not cover any damages caused by misuse, neglect, alterations or improper handling / transport / maintenance / installation. Physical damages are not covered by warranty. AquaMaxx does not cover personal injury, personal loss, or other damages associated with the use of our products. In order to request warranty service, please email us at info@aquamaxxaquariums.com. A purchase receipt is required for any warranty service. Products requiring warranty service must be returned to AquaMaxx. You are responsible for the cost of shipping a warranty claim to AquaMaxx and any damages that may occur during transit. Once a returned product has been inspected, it will be repaired or exchanged at our discretion and returned to you. International and / or expedited shipping are not covered under your AquaMaxx warranty.